



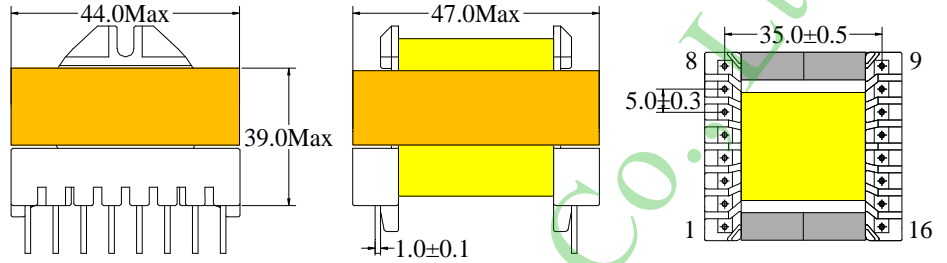
High-frequency transformer

ER40 Series

Parameters/Dimensions:

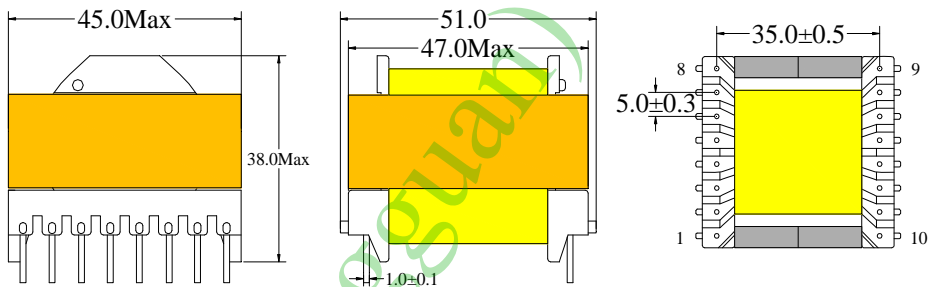
ER40 Type 1

- Information:
 Shape:ER40
 1 Power:240W
 2 Mounting Orientation: Horizontal
 3 Size: 44(W) * 47(L) * 39 (H)
 4 Effective Ae (mm2): 158



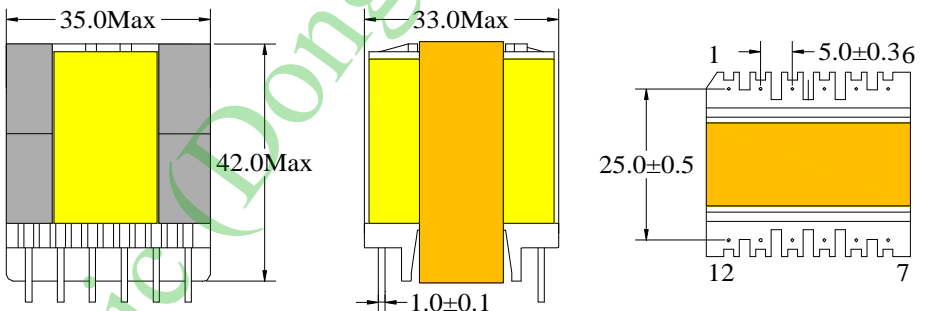
ER40 Type 2

- Information:
 Shape:ER40
 1 Power:240W
 2 Mounting Orientation: Horizontal
 3 Size: 45(W) * 47(L) * 38(H)
 4 Effective Ae (mm2): 158



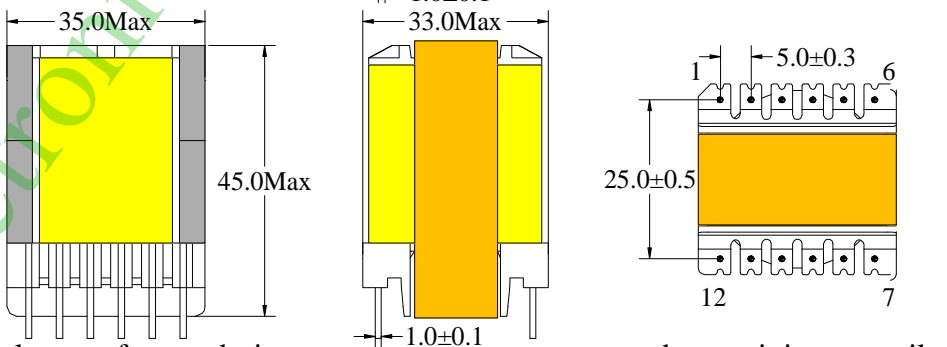
ER40 Type 3

- Information:
 Shape:ER40
 1 Power:240W
 2 Mounting Orientation: Vertical
 3 Size: 35 (W) * 33(L) * 42 (H)
 4 Effective Ae (mm2): 158



ER40 Type 4

- Information:
 Shape:ER40
 1 Power:240W
 2 Mounting Orientation: Vertical
 3 Size:35 (W) * 33(L) * 45 (H)
 4 Effective Ae (mm2): 158



Note:

Bobbin type listed in the traditional style, transformer design parameters to customer needs or to inject prevail.

ER series high-frequency transformer features:

Coupled good location, in the column for the round, easy winding and winding area increases, can be designed to power large and small leakage inductance of the transformer.

Uses:

TV power supply, display, switching power supply, navigation, LED power supply